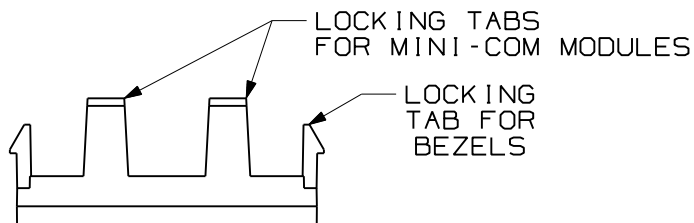
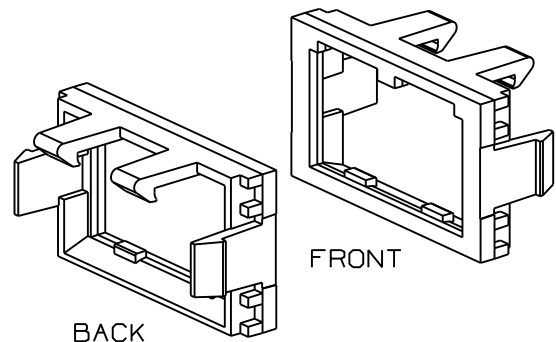
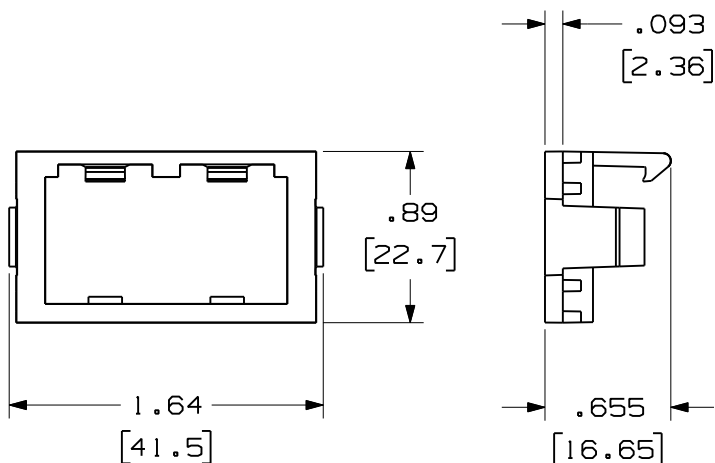


THIS COPY IS PROVIDED ON A RESTRICTED BASIS AND IS NOT TO BE USED IN ANY WAY DETRIMENTAL TO THE INTERESTS OF PANDUIT CORP.

PANDUIT P/N	WEIGHT
CHF2M**-X	.046 LB/10
IAPHF2MWH-X	20.7 g/10



- NOTES:
1. SEE CURRENT CATALOG FOR ADDITIONAL PART NUMBER SUFFIXES TO INDICATE COLOR AND OR PACKAGE QUANTITY.
 2. IS TO BE USED WITH THE MINI-COM BEZELS AND MINI-COM MODULES.
 3. DIMENSIONS IN PARENTHESES ARE IN METRIC.



MODEL FILENAME		SIZE
DRAWING FILENAME		A
D35544CC_DC27/00C		
 1/3 SIZE FLAT MODULE INSERT CUSTOMER DRAWING		
 TINLEY PARK, IL 60487		I.I. NUMBER
		PRODUCT SPEC/ PKG SPEC
		ASSY METHOD/ TEST METHOD
 THIRD ANGLE PROJECTION		SCALE
ALL DIMENSIONS ARE GIVEN IN INCHES, UNLESS OTHERWISE SPECIFIED. DIMENSIONAL TOLERANCES ARE: (.X) ± (.XXX) ±.010(.3) (.XX) ±.03(.8) ANGLES ±		NONE
DRAWN BY	REVIEW DRAWING NUMBERS	PART NO.
RCA		SEE TABLE
DATE	MAT'L	DRAWING NO.
1-17-97	ABS	35544-27
CHK'D		
CEF		

REV	DATE	BY	CHK	DESCRIPTION	ECN	R	CUST	SUP	OTH
2	6-6-11	BJN	JCO	B. ADDED SUPPLEMENTAL P/N IAPHF2MWH-X	35544-27	JCO	JCO		
1	9-11-97	RCA	CEF	A. REV'D DWG TITLE WAS 1/3-TWO POSITION FLAT INSERT.	35544-27	CEF	CEF		
R	1-17-97	RCA	CEF	RELEASED TO PRODUCTION	35544-27	CEF			